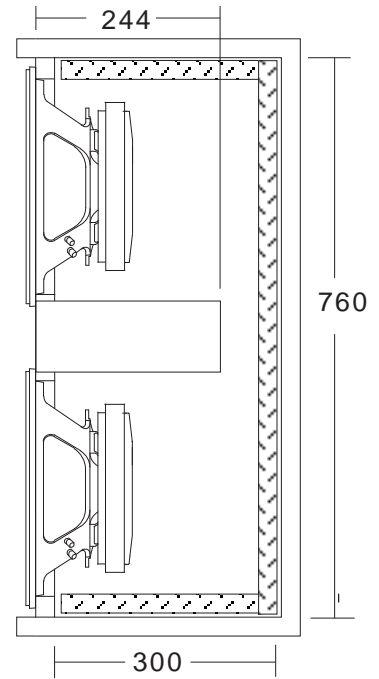
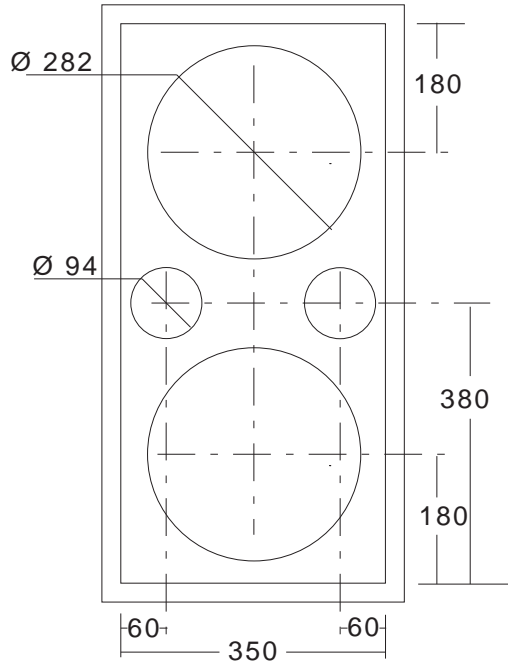
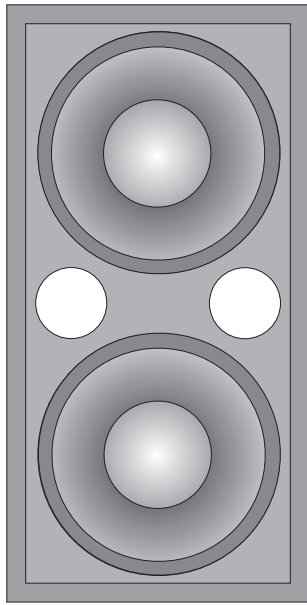


BR014 BASS REFLEX BOX



| COMPONENTS | |
|-----------------------|----------|
| L F (n°2) parallel | 12.00 SW |
| Max Power | 2800 W |
| Nominal Power | 1400 W |
| Impedance | 4 Ω |

SPECIFICATIONS

| | | | |
|---------------------|---|----------|-----|
| Sensitivity 1W/1m | : | 96 | dB |
| Net volume Vb | : | 70 | dmc |
| Tuning Frequency Fb | : | 40 | Hz |
| Frequency range | : | 20 ÷ 500 | Hz |

